

SURGICAL

CATALOGUE



PRODUCING QUALITY GOODS FOR 15 YEARS

We are Producers of quality surgical, dental, beauty and general stainless steel products in singleuse and multiuse type. We guarantee on our products and facilitate our customers with easy return policies.



For more information visit www.mjwintl.net

Manufacturers and Exporters of Surgical, Dental & Beauty Instruments

Head Office

BI24S 88/8 Bara Pathar
Christian Town, Sialkot
Pakistan (51310)
0092 524 264829

Branch Office

Flat 1, Kinsale Grange
57 Langley Park Road,
Sutton-Surrey SM2-5GZ UK.
Mob: 00447701084895

Contact Details

Email: info@mjwintl.net
mjwinternational2005@gmail.com
Mobile: 0092 321 712 1510
Mobile: 0092 333 371 3443



FACTORY OVERVIEW



INTRODUCTION

for fifteen years MJW Surgical has been supplying the Healthcare Industry with finest quality surgical instruments & innovative products for surgery. With our extensive knowledge and experience in the medical field, our products are specifically designed to offer both exceptional quality and value for money to Healthcare Professionals and Organisations. During the last few years there have been numerous developments within our company, with the Introduction of many new innovative products and services to our portfolio, which has allowed MJW Surgical to make a significant impact on the healthcare market. Our head office is based in Sialkot, Pakistan housing all Customer Service and Administrative functions. Additionally, we have an office in the UK covering Europe and the USA. Our range of specialised surgical instrumentation is uniquely manufactured in Sialkot to the highest standards of craftsmanship. Our goal is to continue to develop new, innovative medical products that will enhance the quality of surgical procedures.

OUR SERVICE COMMITMENT

QUALITY of All surgical instruments and products manufactured and distributed by MJW Surgical conform to the highest European and International Standards with all products bearing the relevant CE mark for their classification.

GUARANTEE OF SATISFACTION

All products undergo rigorous quality control assessment and are fully guaranteed. Any product proving unsatisfactory in normal use will be replaced or repaired free of charge following inspection.

VALUE FOR MONEY

We believe our surgical instruments and products to be competitively priced representing excellent value for money. We are happy to offer discounts for contracts.

QUOTATION SERVICE

We offer a no obligation quotation service whereby we will specify, code and price your requirements using our extensive product library which enables us to cross-reference most products.

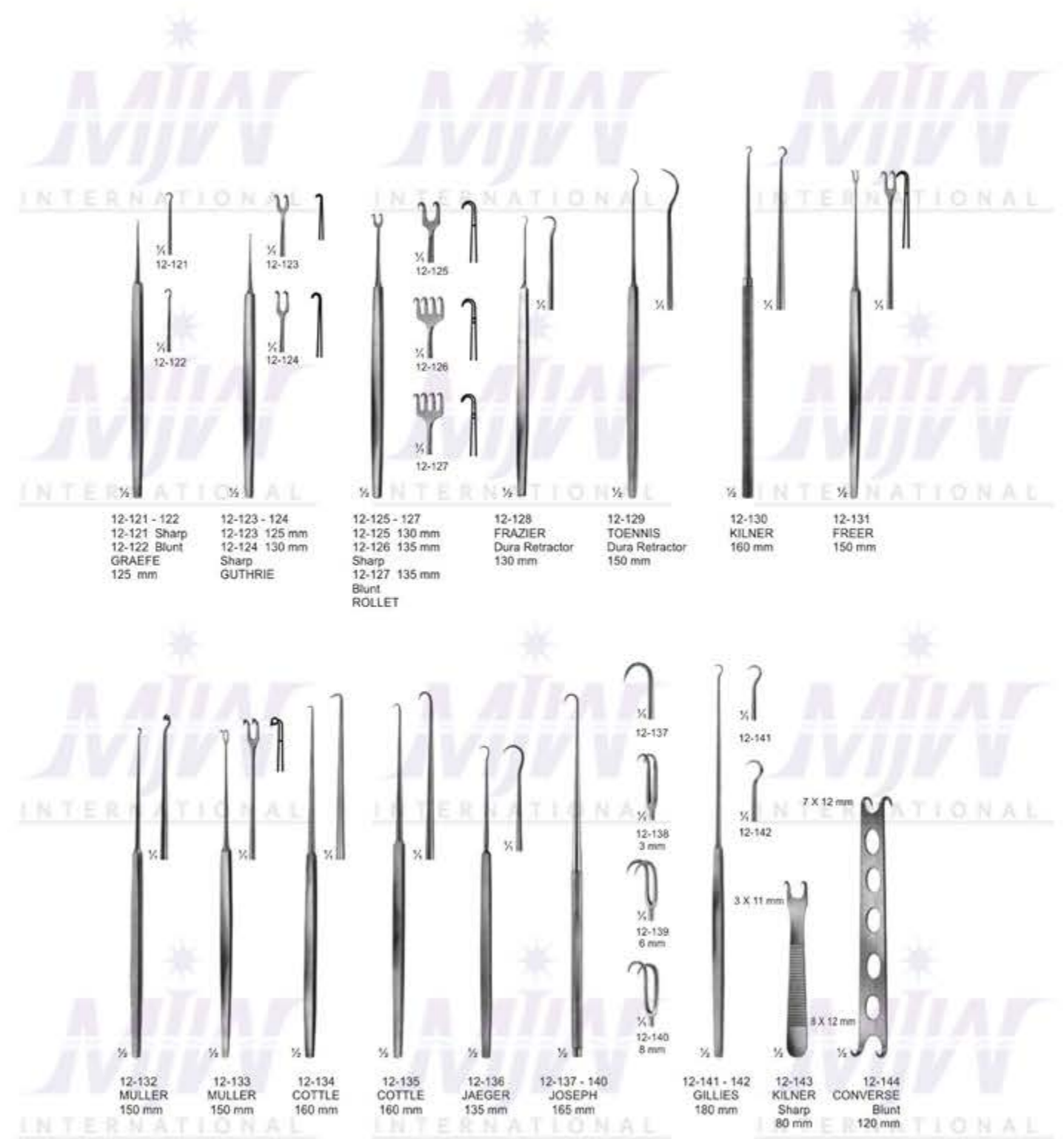
PRODUCT INFORMATION

Sectional catalogues are available for most surgical specialities.

INNOVATION

Our objective is to work in close conjunction with all medical and nursing personnel to develop new and innovative products and services.

















12-296 - 301
LANGENBECK
210 mm

- 12-296 28 x 10 mm
- 12-297 28 x 14 mm
- 12-298 33 x 14 mm
- 12-299 28 x 16 mm
- 12-300 40 x 10 mm
- 12-301 40 x 13 mm



12-302 - 310
KOCHER-LANGENBECK
215 mm

- 12-302 25 x 6 mm
- 12-303 35 x 8 mm
- 12-304 35 x 11 mm
- 12-305 35 x 15 mm
- 12-306 41 x 11 mm
- 12-307 55 x 11 mm
- 12-308 70 x 14 mm
- 12-309 80 x 12 mm
- 12-310 80 x 16 mm



12-311
LANGENBECK
215 mm



12-312 - 316
KOCHER
230 mm



12-317 - 319
SAUERBRUCH
225 mm



12-312
40 x 16 mm

12-313
60 x 20 mm

12-314
60 x 25 mm

12-315
75 x 30 mm

12-316
75 x 40 mm



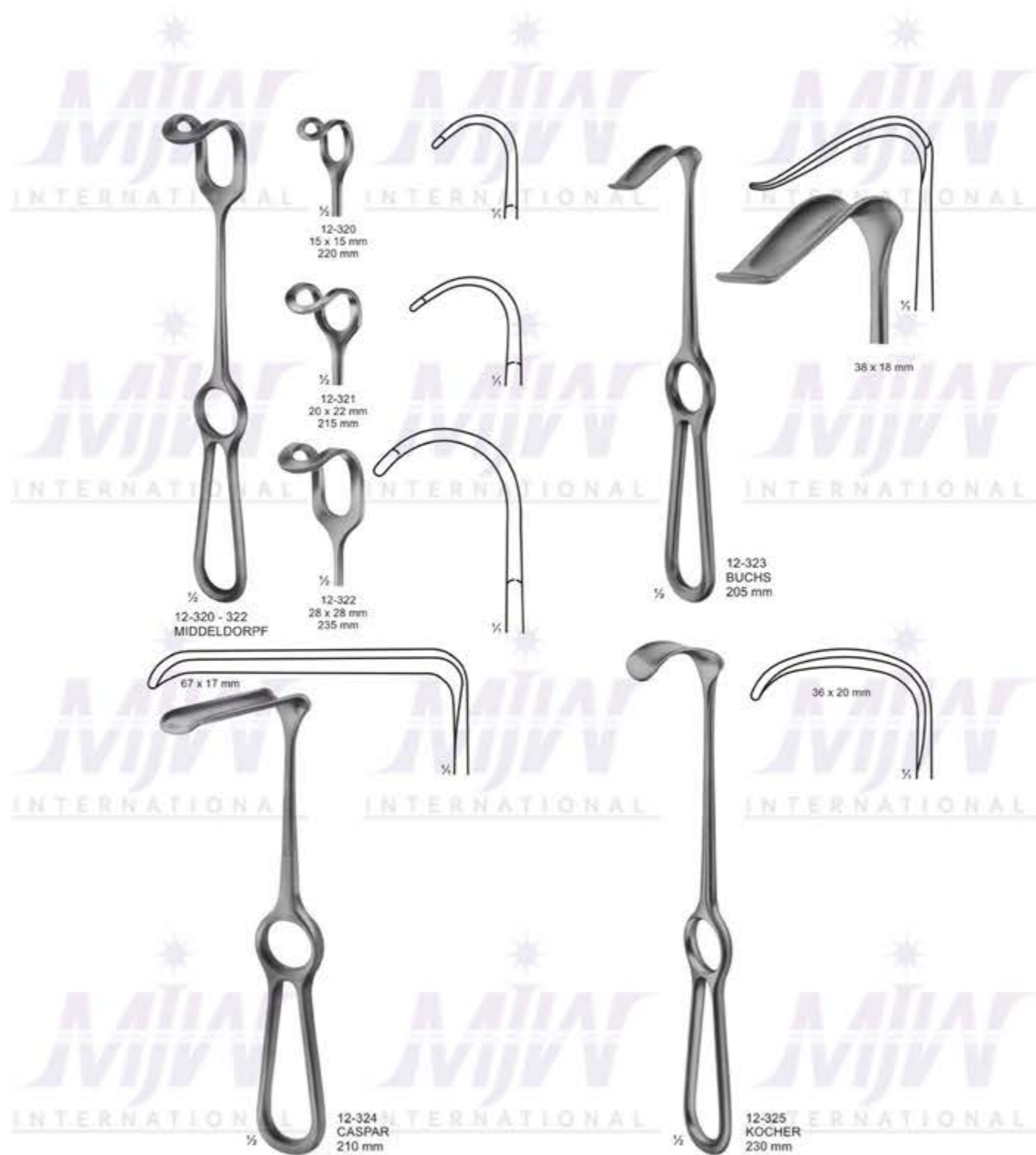
12-317
46 x 16 mm



12-318
55 x 22 mm



12-319
72 x 19 mm









12-358
Retractor blades for handles

Depth	Width	18mm	22mm	26mm	30mm	40mm	50mm
55mm	12-358A	12-358B	12-358C	12-358D	12-358E	-	-
75mm	12-358F	12-358G	12-358H	12-358I	12-358J	-	-
95mm	12-358K	12-358L	12-358M	12-358N	12-358O	-	-
115mm	12-358P	12-358Q	12-358R	12-358S	12-358T	-	-
135mm	-	-	-	-	-	12-358U	-
145mm	-	-	-	-	-	-	12-358V

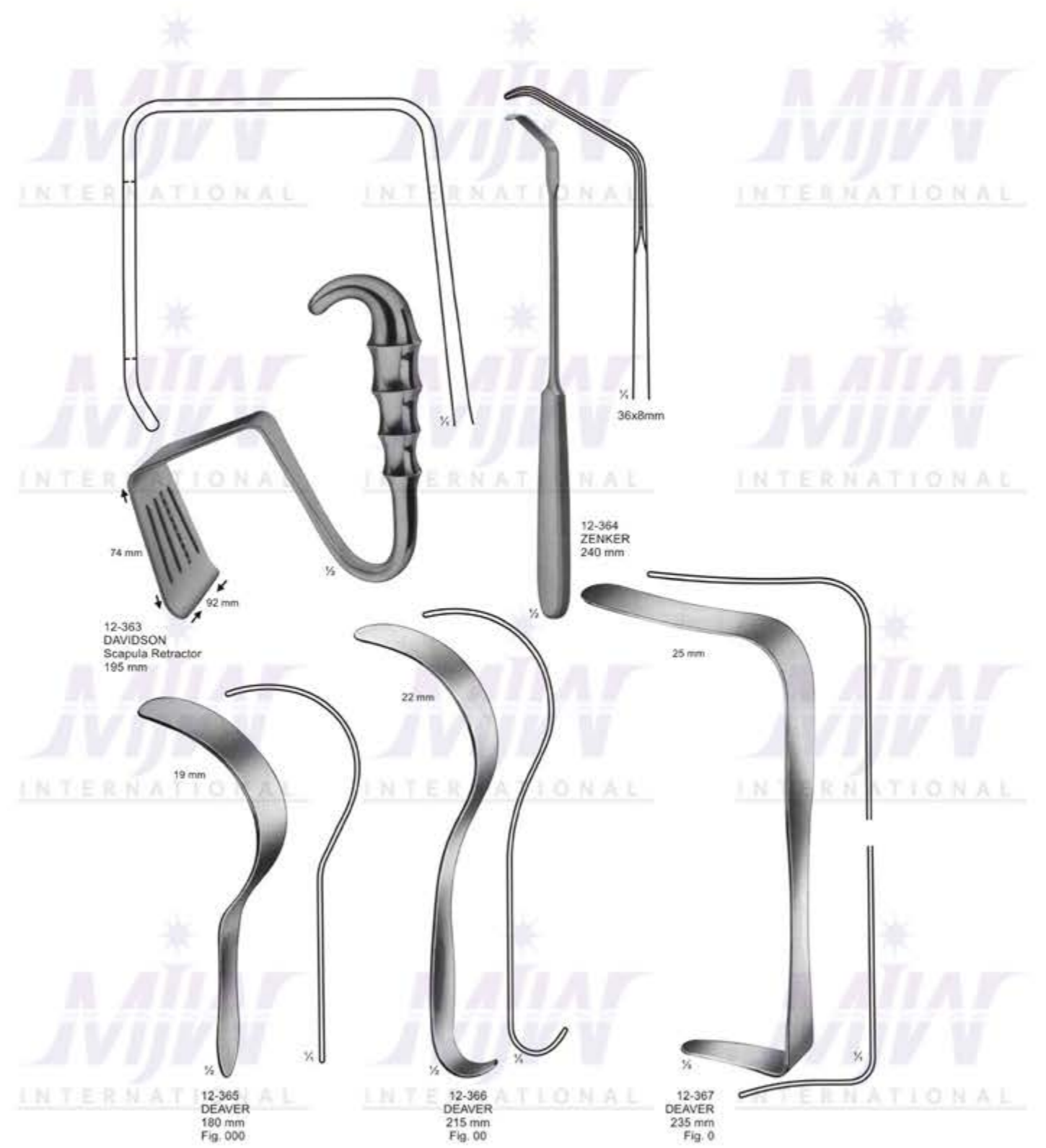


12-351 - 357
BRUNNER
275 mm

12-351	80 x 20
12-352	100 x 25
12-353	120 x 25
12-354	130 x 30
12-355	140 x 30
12-356	160 x 30
12-357	180 x 30

12-358
Handle with cold
light carrier for
retractor blades.
280 mm

Handle
arrangement
variable











slightly concave

- 12-395 Fig.1 32 x 40 mm
- 12-396 Fig.2 34 x 50 mm
- 12-397 Fig.3 41 x 60 mm
- 12-398 Fig.4 46 x 75 mm
- 12-399 Fig.5 64 x 85 mm

12-384 - 394
DOYEN
240 mm

12-395 - 399
FRITSCH
240 mm

12-400
DOYEN
250 mm

Length of Blades	Width of Blades		
	35mm	45mm	60mm
62mm	12.384	12.387	12.391
92mm	12.385	12.388	12.392
122mm	12.386	12.389	12.393
160mm		12.390	12.394



- 12-401-405
ROCHARD
310 mm
- 12-401 48 x 90 mm
- 12-402 48 x 105 mm
- 12-403 48 x 120 mm
- 12-404 48 x 135 mm
- 12-405 48 x 155 mm

12-406
ROCHARD
Fixation device for 12-401-405

O' Sullivan-O' Connor
12-401A
Adult
12-401B
Baby



12-407 - 410
DOYEN
280 mm

12-411
DOYEN-CHILD
Fixation device
220 mm

12-412
Chain (12-412A)
with weight (12-412B)
645g
790 mm



Oral Instruments
Cheek & Nasal Retractors, Alar Hooklet



Mayo
12-421S
17 cm



Converse
12-421C
10.5 cm
44 x 11 mm blade



Cawood Minnesota
12-421M
15 cm
20 mm



12-421MM
14.5 cm
Fenestrated



Doyen
12-426S
13 cm
24/30 mm
12-426SS
16 cm
30/34 mm

Tobold
12-426T
12 cm

63 mm



45 mm
12-421
REVERDIN
285 mm

40 mm



50 mm
12-422
HABERER
Malleable
305 mm



12-423 - 425
12-423 30 mm
12-424 40 mm
12-425 50 mm
Malleable
330 mm

17 mm



25 mm
12-426
TUFFIER
Malleable
200 mm



12-427
BOSE
60 mm



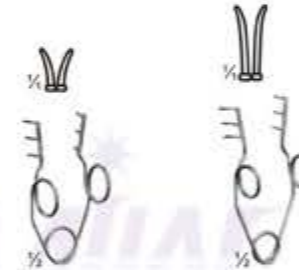
12-428
FINSEN
50 mm



12-429
FINSEN
70 mm



12-430
FINSEN modif.
75 mm



12-431
45 mm

12-432
55 mm



12-433
MUELLER
65 mm



12-434
100 mm



12-435
70 mm



12-436
100 mm



12-437
LOGAN
modif. REILL
50 mm



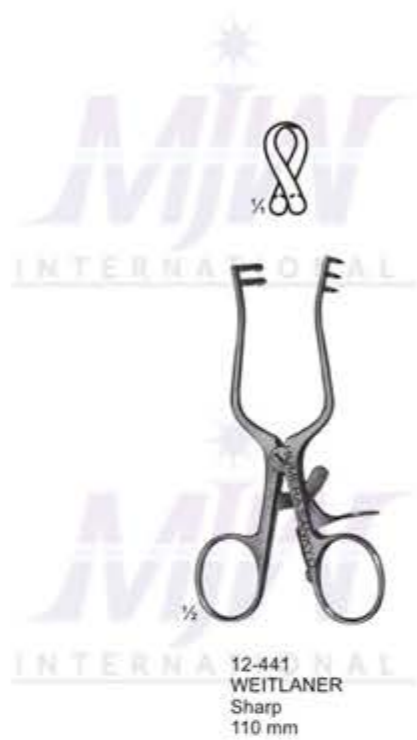
12-438
JANSEN
100 mm



12-439
JANSEN
100 mm



12-440
BARRAQUER
45 mm





12-453
ADSON-BABY
Blunt
140 mm



12-454
MOLLISON
Sharp
155 mm



12-455
MAYO-ADAMS
165 mm



MEYERDING
12-455A 25 x 60 mm blade
12-455B 25 x 55 mm blade
12-455C 25 x 35 mm blade
12-455D 22 x 60 mm blade



DARLING
12-455E
18 cm
(Poplitea)



DARLING
12-455F
18 cm
(Poplitea)



12-456
ANDERSON-ADSON
Sharp
190 mm



12-457
NORFOLK and
NORWICH
Blunt
220 mm



12-458
ADSON
Sharp
265 mm





Scoville
12-469A
50 mm deep
Blunt



Scoville
12-469B
70 mm deep
Blunt



Scoville
12-469C
50 mm deep
Sharp



Scoville
12-469D
70 mm deep
Sharp



Scoville
12-469E 60 x 25 mm
12-469F 64 x 50 mm
12-469G 88 x 25 mm
Toothed



12-469
62 x 52 mm
PR= Pair



12-470
47 x 51 mm



12-471
30 x 40 mm



12-472
37 x 62 mm



12-468
SCOVILLE-RICHTER
Retractor (12-468A) with 1 pair
blades (12-469) reversible type.
The Retractor bar and shanks
may be easily rotated 180° when
blades are in situ.



12-473
CLOWARD modif.
Spreader Only
Consisting of:
12-473 A Spreader Only 10"
12-474 1 Blade
12-475 1 Blade
12-476 1 Blade
12-477 1 Blade
12-478 1 Blade



40 mm
16 mm
12-474



45 mm
16 mm
12-475



40 mm
16 mm
12-479



45 mm
16 mm
12-480



50 mm
16 mm
12-476



55 mm
16 mm
12-477



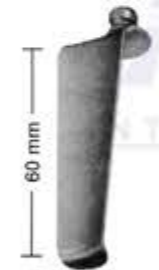
50 mm
16 mm
12-481



55 mm
16 mm
12-482



60 mm
16 mm
12-478



60 mm
16 mm
12-483

Blades only used for 12-473 A



12-484
CASPAR
Retractor, adjustable, consisting of:
5 medial blades (12-485-489) 5 Lateral
blades. (12-490-494) and the retractor
only (12-484B) By Reversing the Screw,
The Retractor Can be Used From Both Sides



12-484 A
CASPAR
Counter retractor, adjustable,
consisting of: 5 blades. (12-495-499)
and the retractor only (12-484C)



12-512
CLOWARD
155 mm



12-513
CLOWARD
135 mm

To be used preferably for transverse retraction.



12-485 40 x 23 mm
12-486 45 x 23 mm
12-487 50 x 23 mm
12-488 55 x 23 mm
12-489 60 x 23 mm
Medial blades

12-490 40 x 23 mm
12-491 45 x 23 mm
12-492 50 x 23 mm
12-493 55 x 23 mm
12-494 60 x 23 mm
Lateral blades

12-495 45 x 23 mm
12-496 50 x 23 mm
12-497 55 x 23 mm
12-498 60 x 23 mm
12-499 65 x 23 mm
Blunt blades

12-500 50 x 25 mm
12-501 60 x 25 mm
Blunt blades,
for harvesting of the
fusion graft from the
iliac crest

To be used preferably for up and down retraction.



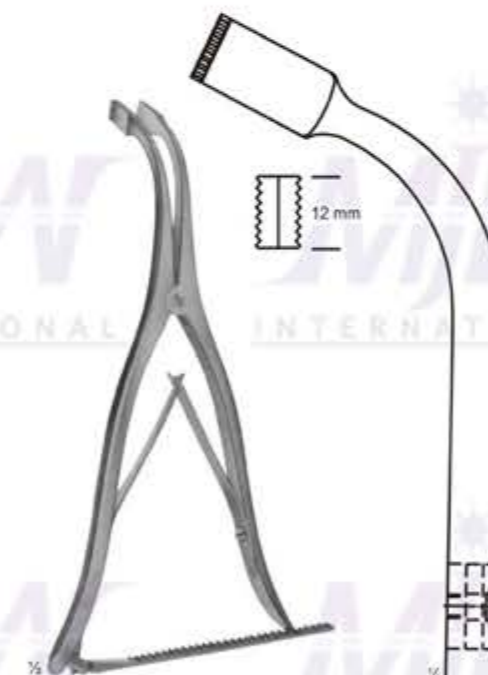
12-502 40 x 25 mm
12-503 45 x 25 mm
12-504 50 x 25 mm
12-505 55 x 25 mm
12-506 60 x 25 mm
Medial Titan blades
semi transparent to x-ray

12-507 40 x 25 mm
12-508 45 x 25 mm
12-509 50 x 25 mm
12-510 55 x 25 mm
12-511 60 x 25 mm
Lateral Titan blades
semi transparent to x-ray

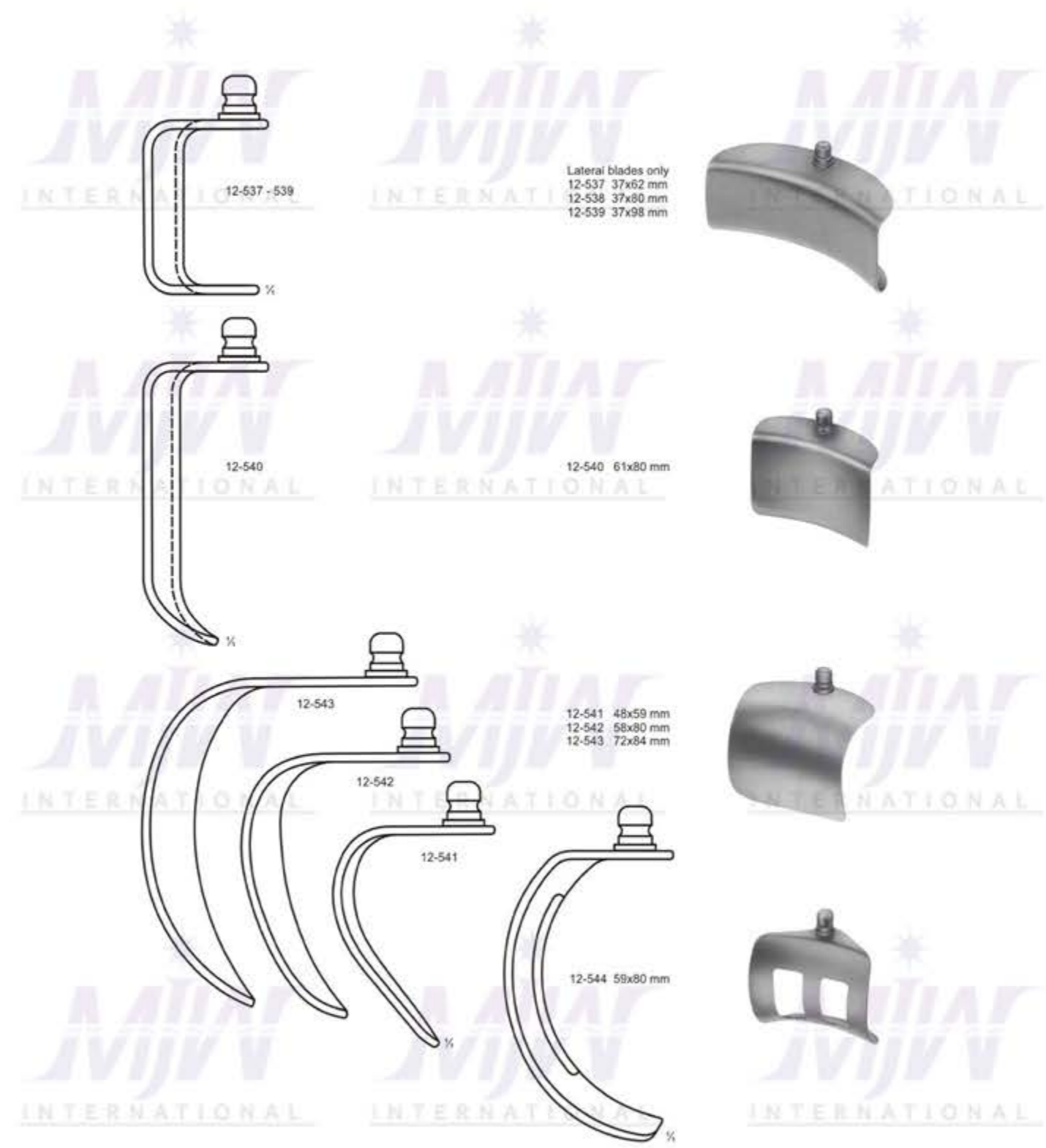
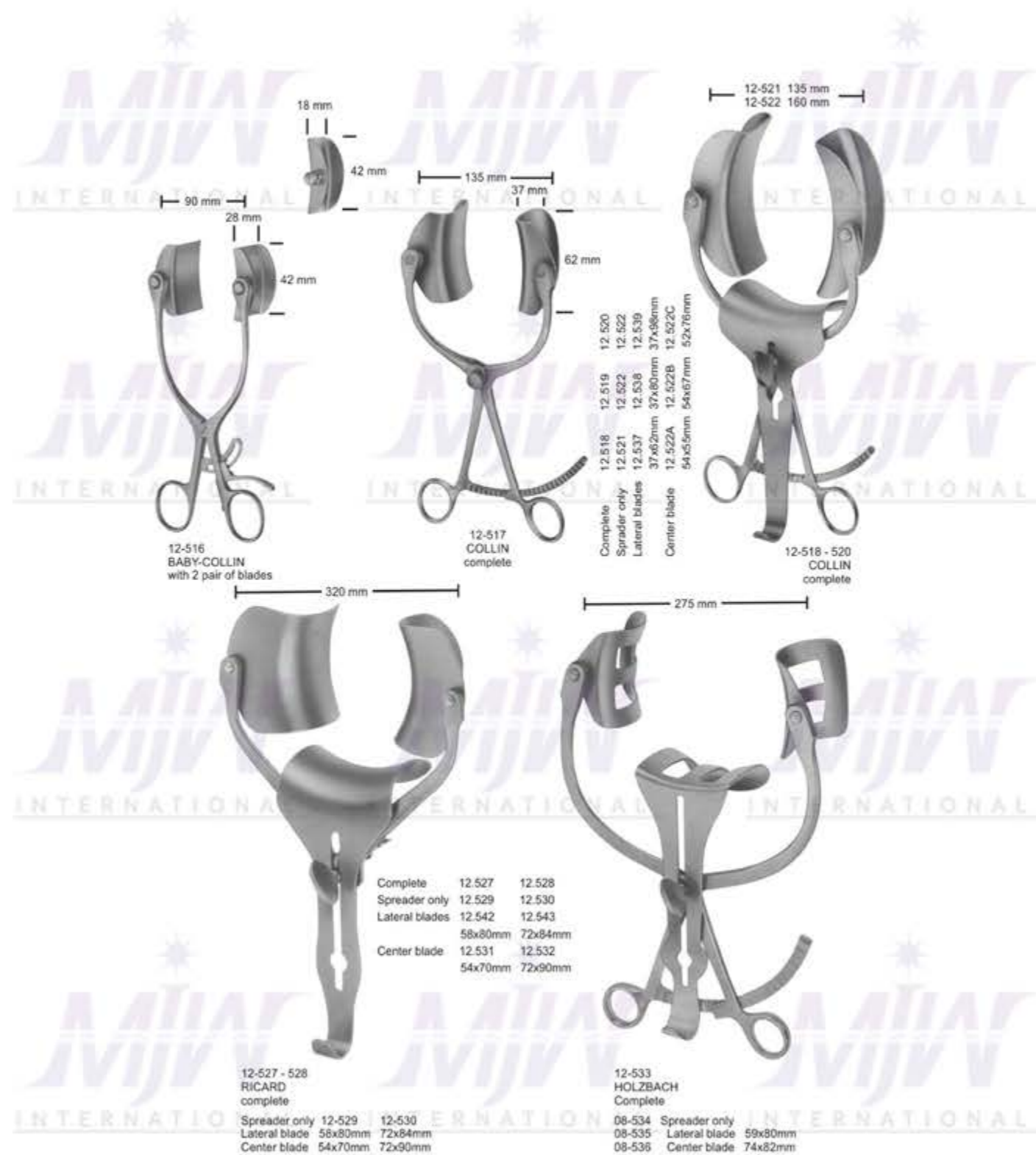
Blades only, to be used with 12-484B and 12-484C



12-514
INGE
170 mm



12-515
INGE
275 mm





12-545
GOSSET
Blades:38 mm deep



12-546
HERTZLER
Blades 20 X 25 mm



12-547
BALFOUR-BABY
Lateral blades 27 mm deep
(12-548) Center blade 21x24 mm



12-552
BALFOUR
Lateral blades 60 mm deep
(12-553) Center blade
47 x 80 mm



12-554
BALFOUR
Lateral blades 105 mm deep
(12-555) Center blade
107x 59 mm



12-556
Center blade only
54x80 mm



12-549
GOSSET
Blades:55mm deep



12-550
GOSSET
Lateral blades 58 mm deep
(12-551) Center blade
59 x 57 mm

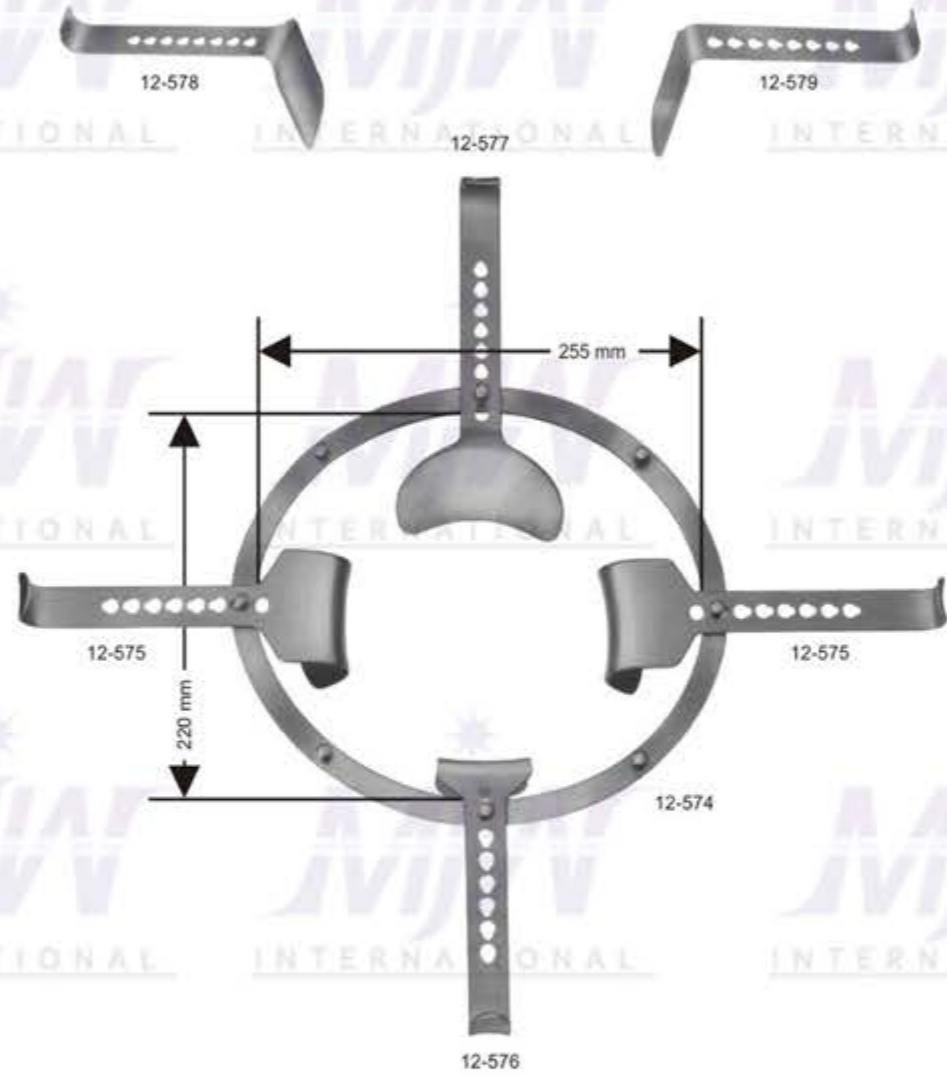


12-557 - 560
BALFOUR
Spreader only 12-561 12-562 12-563 12-564
Lateral blades 50 mm 60 mm 75 mm 90 mm
Center blade 47 x 80 mm 62x76 mm 80x80 mm 80x80 mm



Lateral blades
12-565 50 mm deep
12-566 60 mm deep
12-567 75 mm deep
12-568 90 mm deep
Sales Unit of blades:PR = pair

Complete	12-557	12-558	12-559	12-560
Spreader only	12-561	12-562	12-563	12-564
Lateral blades	12-565	12-566	12-567	12-568
	50mm	60mm	75mm	90mm
Center blade	12-569	12-570	12-571	12-572
	47x80mm	62x76mm	80x80mm	80x80mm



- 12-573 SEMM consisting of:
- 12-574 1 frame 225 x 220 mm
- 12-575 2 blades 46 x 64 mm
- 12-576 1 blade 53 x 54 mm (for bladder)
- 12-577 1 blade 82 x 97 mm (for intestine)
- 12-578 1 blade 98 x 51 mm (for intestine)
- 12-579 1 blade, narrow 107 x 36 mm



12-580 KIRSCHNER with folding frame (12-581) and 2 blades of each (12-583 - 584)

12-582 KIRSCHNER with vaulted fixed frame (12-585) and 2 blades of each (12-583 - 584)
 12-586 275 x 355 mm Frame only, over-sized
 12-587 295 x 275 mm Frame only

Addition valves for corpulent persons.



12-588 KIRSCHNER 64 x 80 mm

12-589 KIRSCHNER-BALFOUR 80x 82 mm

12-590 - 592 KIRSCHNER
 12-590 90x 69mm
 12-591 92x 95mm
 12-592 78x 58mm

12-593 - 595 KIRSCHNER
 12-593 108x42mm
 12-594 91x 55mm
 12-595 121x 55mm